

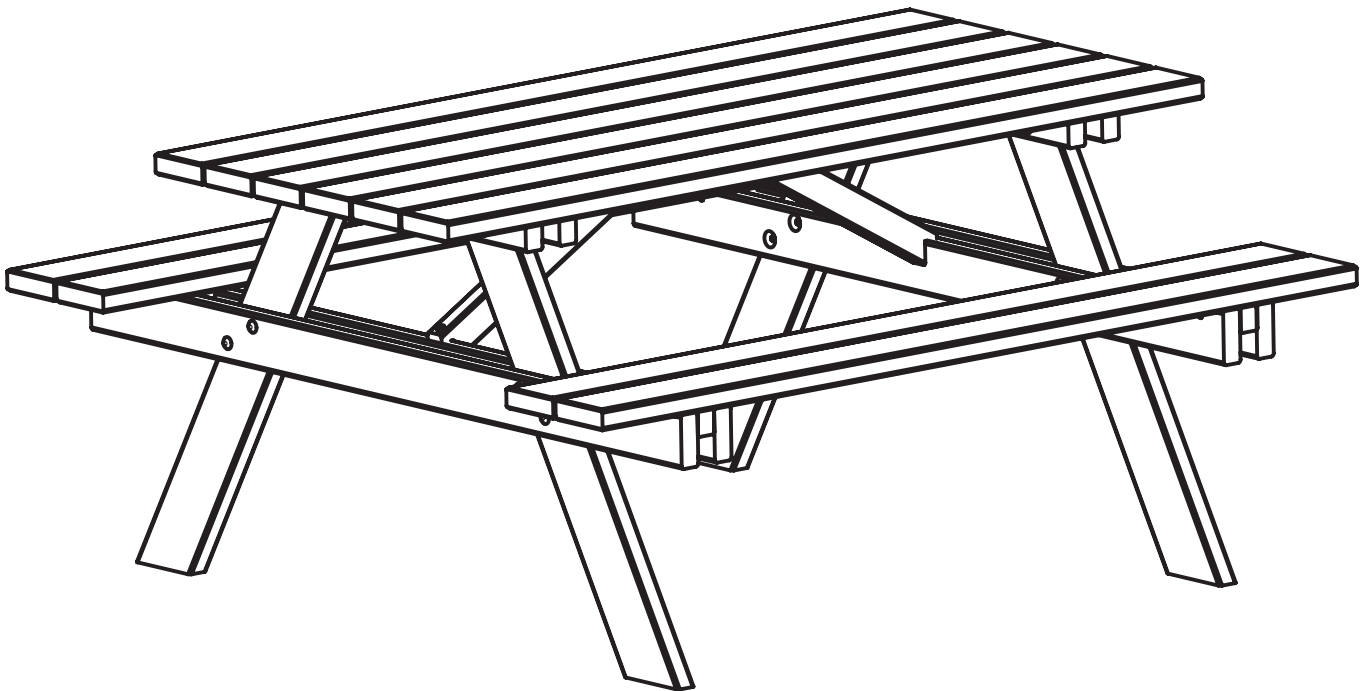


# Assembly Instructions

## Laura Picnic Table

Code: 32463

v2



(W x D x H) 1.59m x 1.49m x 0.75m



**ONLINE ASSEMBLY VIDEO AVAILABLE**

Please scan the QR code or visit [zestoutdoorlivingsupport.co.uk/assembly-search/](https://zestoutdoorlivingsupport.co.uk/assembly-search/)



**PLEASE KEEP THESE INSTRUCTIONS**