

20V CORDLESS GRASS TRIMMER

Item codes: M498

Instructions for Use v002: 18/03/24

Please read and retain these instructions
for future reference



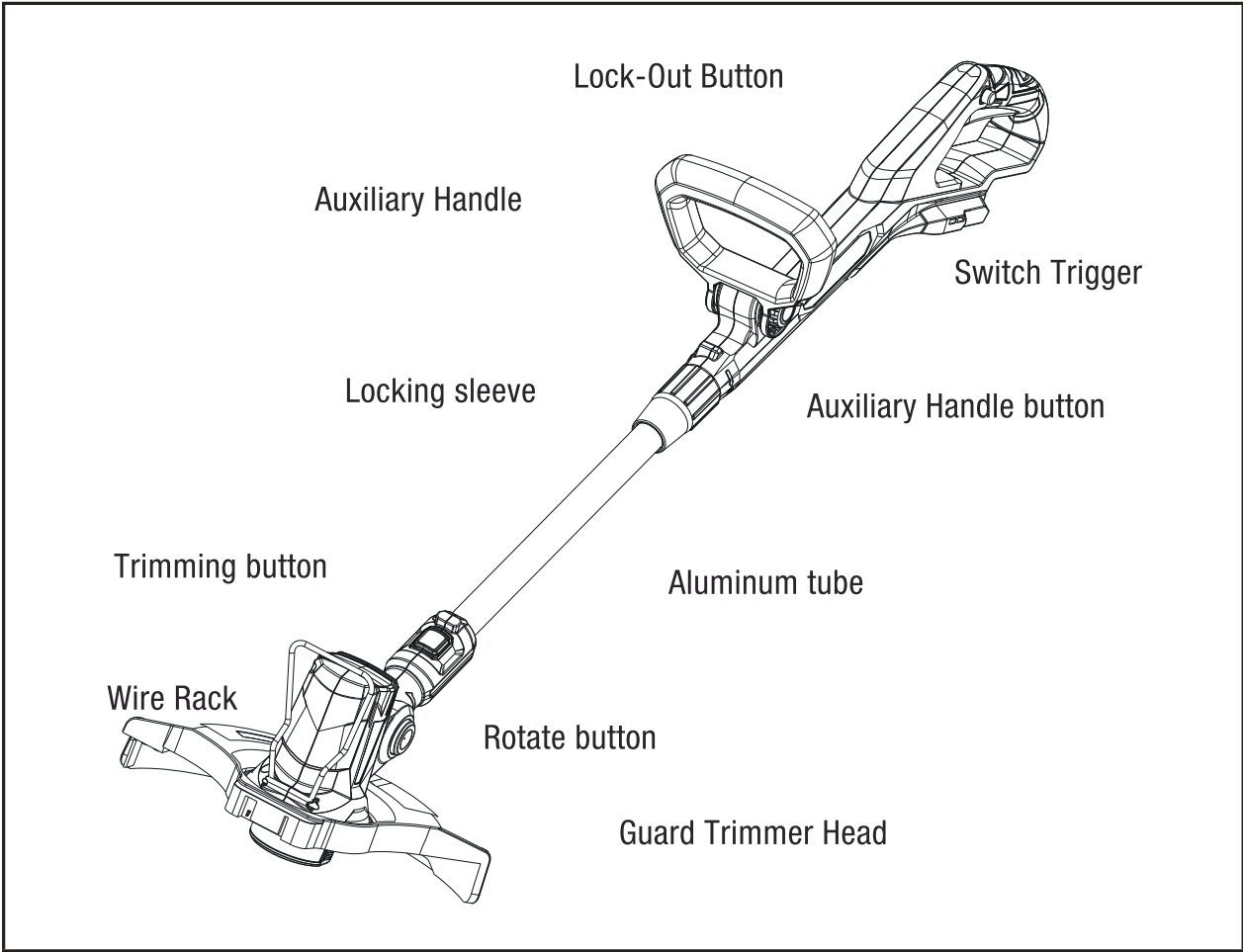
Please read this instruction manual thoroughly before starting and ensure you are familiar with the operation of your new CORDLESS GRASS TRIMMER.

PRODUCT SPECIFICATIONS

Cordless Grass Trimmer	
Type	Cordless battery-operated
Voltage	20Vdc
String cutting width	12"/ 30cm(Weeding) / 10"(Cutting shrubs)
String Diameter	0.063" (1.6mm)
No Load Speed	8000 +/- 10% rpm
Weight (without battery)	4.119kg (including charger)
Weight (with 2.0Ah battery)	4.497 kg (including charger)
Battery Pack	BP8606
Charger	HGDS210050
This item requires two hands to use safely.	Accessories – Lithium Ion Battery pack.

**RECOMMENDED FOR PERSONS OVER 18 YEARS OF AGE.
ALWAYS USE HEAD, EYE AND EAR PROTECTION EQUIPMENT
AND SAFETY SHOES AND HAND GLOVES**

KNOW YOUR TRIMMER



KNOW YOUR TRIMMER

The safe use of this product requires an understanding of the information on the product and in this operator's manual as well as a knowledge of the project you are attempting. Before use of this product, familiarize yourself with all operating features and safety rules.

AUXILIARY HANDLE

The string trimmer is equipped with an auxiliary handle and shoulder harness for ease of operation and to prevent loss of control.

GUARD

The trimmer includes a guard that helps protect you from flying debris

UNPACKING

This product requires assembly.

- Carefully remove the product and any accessories from the box. Make sure that all items listed in the packing list are included.
- Inspect the tool carefully to make sure no breakage or damage occurred during shipping.
- Do not discard the packing material until you have carefully inspected and satisfactorily operated the tool

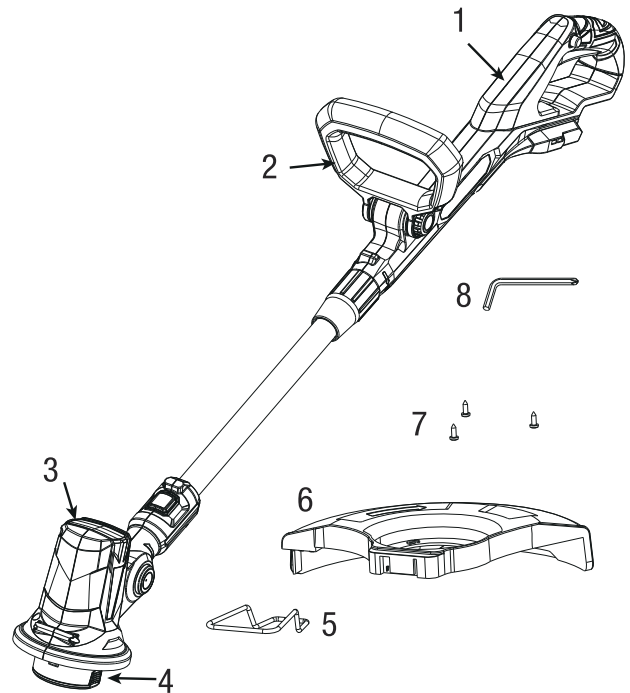
WARNING

Do not use this product if any parts on the packing list are already assembled to your product when you unpack it. Parts on this list are not assembled to the product by the manufacturer and require customer installation. Use of a product that may have been improperly assembled could result in serious personal injury. Tools are not provided for assembly.

PACKING LIST

1. Rear handle
2. Auxiliary Handle
3. String trimmer head
4. Trimmer Head
5. Wire Rack
6. Guard
7. Cross recessed

8. Cross Slot Spanner



ASSEMBLY

WARNING

If any parts are damaged or missing, do not operate this product until the parts are replaced. Use of this product with damaged or missing part could result in serious personal injury.

WARNING

Do not attempt to modify this product or create accessories not recommended for use with this grass trimmer. Any such alteration or modification is misuse and could result in a hazardous condition leading to possible serious personal injury and will result in warranty being voided

WARNING

Do not connect to power supply until assembly is complete. Failure to comply could result in accidental starting and possible serious personal injury

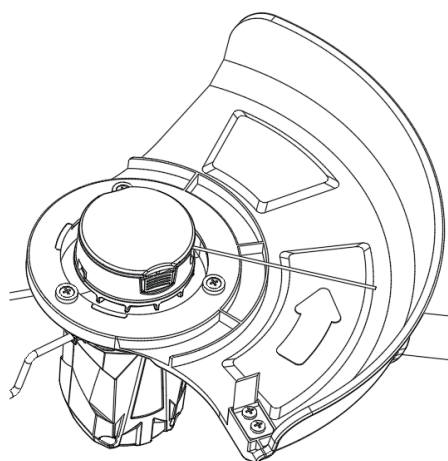
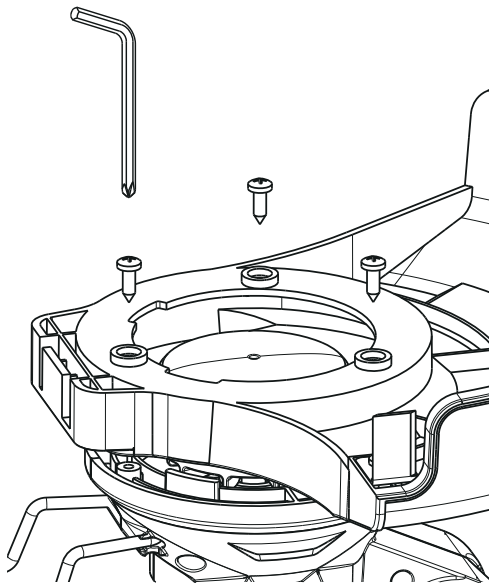
INSTALLATION GUIDE

(1) ATTACHING THE GUARD

WARNING

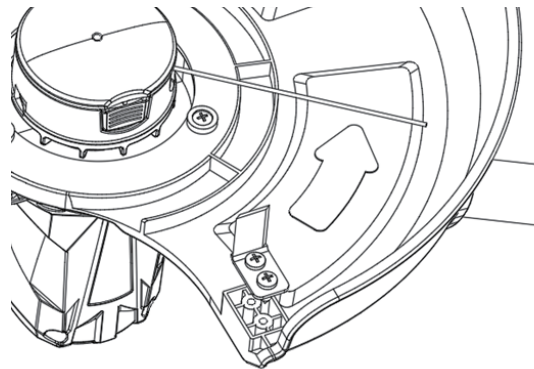
Please read the instructions carefully before using the machine.

- Take out of shield (3 bolts on shield) and cross screwdriver from machine.

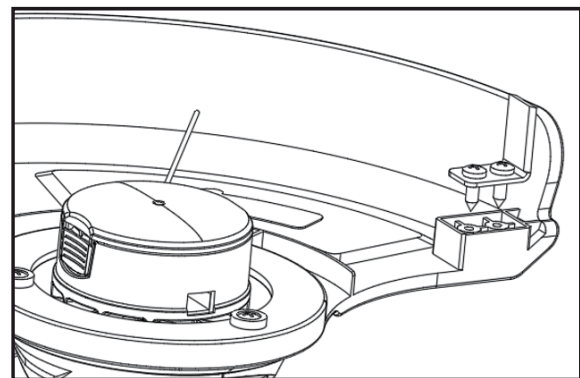


- Align the two notches on shield with two columns on enclosure using a cross screwdriver according to the position shown in the figure above so as to fix the shield on enclosure.

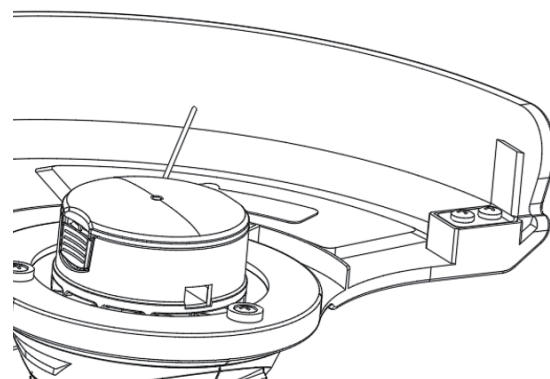
(2) ADJUST CUTTING DIAMETER



- Screw out the bolt for fixing blade via a cross screwdriver.



- Rotate the blade for 180°.



- Put blade inside blade groove and fix the bolt.

⚠ WARNING

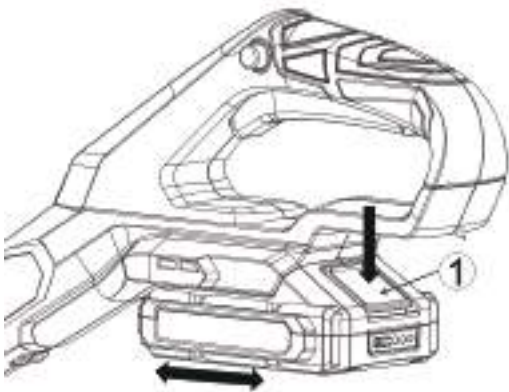
Read and understand entire Operator's Manual for each optional attachment used on this power head and follow all warnings and instructions. Failure to follow all instructions may result in electric shock, fire and/or serious personal injury.

⚠ WARNING

Never install, remove, or adjust any attachment while power head is running. Failure to stop the motor can cause serious personal injury. Never operate power head without an attachment

OPERATION GUIDE

(1) INSTALLATION AND DISASSEMBLY OF BATTERY PACK

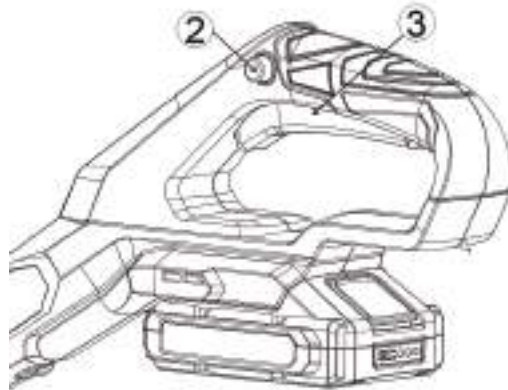


- Press battery pack unlocking button (1) to take battery pack out of the machine. Push the battery pack that has been fully charged into the battery holder of grass trimmer softly and check if the pack has been installed firmly.

CAUTION

1. Do not connect the charger to the power supply and keep it for a long time.
2. Do not put the battery pack on the charger for a long time.
3. If the battery pack is not used for a long time, it should be charged with half of the power for storage.

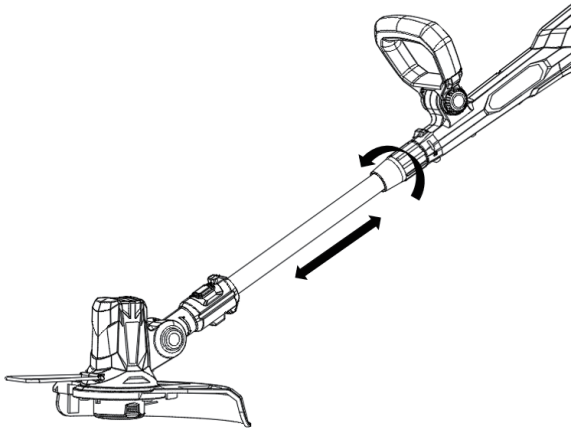
(2) STARTUP AND SHUTDOWN



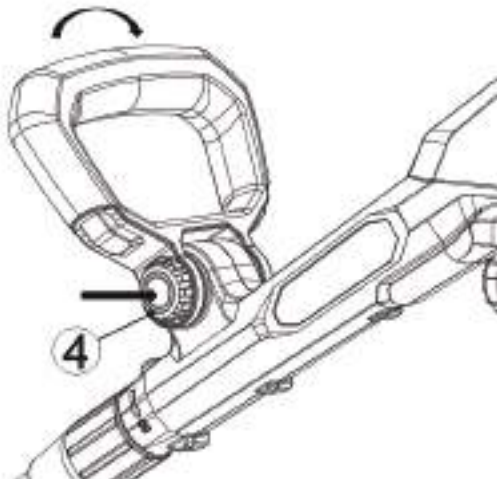
The switch of this machine supports automatic back-locking function so as to avoid starting this machine by mistake. To start it, press (2) automatic lock button and switch (3) in order and release automatic lock button. Shut down the machine after loosening switch.

⚠ WARNING

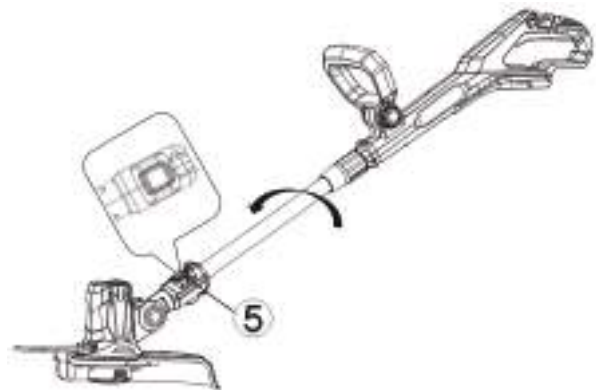
When the machine is stopped, the working head of the machine will still rotate, and when it is completely stopped, the machine will be put down.

(3) ADJUST EXPANSION

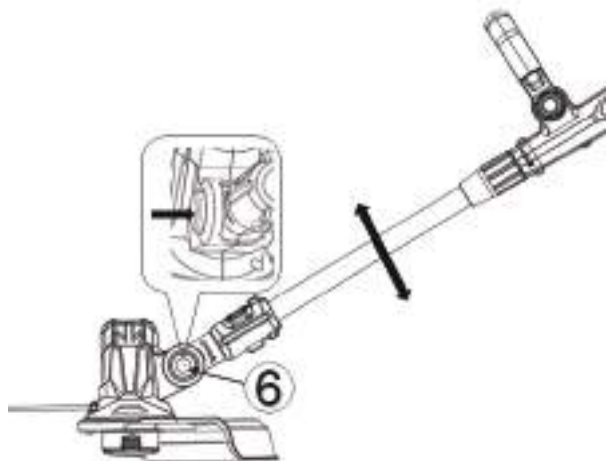
- Rotate lock sleeve to the left based on the direction shown in the figure and stretch aluminum pipe to a proper position. Then fasten lock sleeve by rotating it to the right.

(4) AUXILIARY HANDLE ADJUSTMENT

- Rotate secondary handle back and forth after pressing (4) secondary handle button. Loosen secondary handle button after reaching a proper position through rotation.

(5) MAIN HANDLE ROTATION

- Rotate the enclosure for 180° after pressing edge trimming button (5) and then locking will be realized automatically.

(6) STRAW HEAD ANGLE ADJUSTMENT

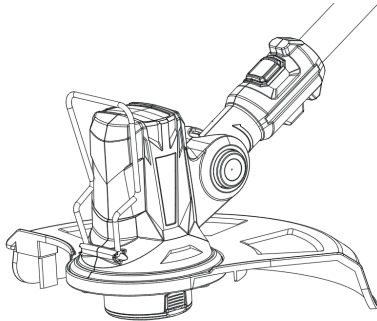
⚠ WARNING

Make sure the safety switch has been off to avoid accidental start.

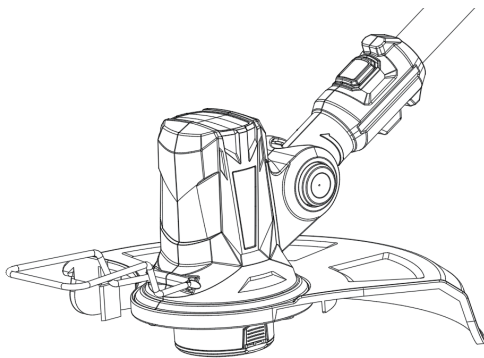
- Adjust trimming angle or turn trimmer's mode to edge trimming mode: After adjusting trimmer head to the desired position with proper strength by pressing rotary button (6), automatic locking can be realized (three adjustable angles available).

(7) FLOWER PROTECTION RACK/TRIMMING SUPPORT

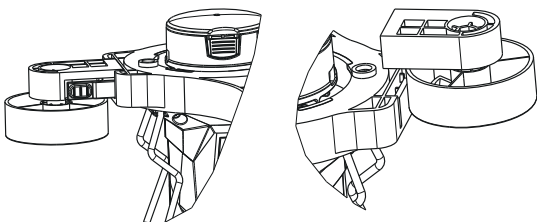
A



B



- Fold protection steel as per Fig. A when grass trimmer is not used unfold it prior to grass or edge trimming.



Insert the trimming wheel (a) into the guide on the guard hood (b). The trimming wheel will latch in the guard hood lock (c).

To remove the trimming wheel from the guard hood, press the trimming wheel button (d).

⚠ WARNING

Please wear eye and ear muffs when using the machine. Do not tilt the mower head, because gravel and debris will fly out of the gap, which may hurt your eyes and face, resulting in blindness or other injuries. Therefore, please follow the following operating specifications: Wear eye masks and thicker clothes, and operate the machine with both hands: hold the auxiliary handle with one hand and the rear handle with the other hand; Keep the machine below the waist and work from right to left to avoid debris splashing on the body; Do not incline, and always keep the scribing line close to and parallel to the buried ground (ensure that it is perpendicular to the ground when trimming).

⚠ WARNING

Before operation, ensure that the machine can set out normally; Make sure to mow when the motor is running at full speed.

⚠ WARNING

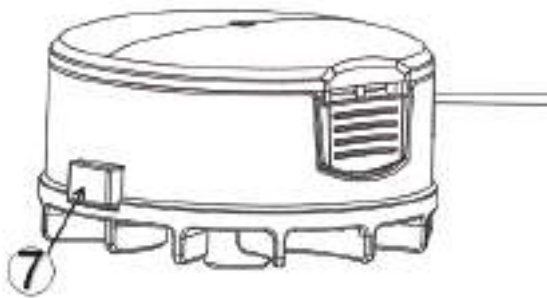
Please make sure to use a 1.5mm diameter of straw: other sizes of straw will lead to poor setting out, poor straw effect or other serious injuries. Wire such as wire, tape or rope can not be used to replace the straw beating wire. For example, the wire will break and fly out quickly, resulting in some unnecessary serious injuries.

(8)AUTOMATIC SETTING OUT FUNCTION

- A small grass trimming line will be released automatically when the trimmer just starts. After the line meets line cutting blade, "Ka Ka" sound will be produced. It is a kind of normal phenomenon so please don't be panic. The grass trimming line will reach the normal working length and motor **will** reach full speed working status in several seconds. At this time, the sound will disappear.

- If the sound of cutting grass cutting line cannot be heard, stretch a longer line. To release more lines, shut down this trimmer and restart it after it shuts down. Repeat the above for several times until the sound of cutting could be heard.

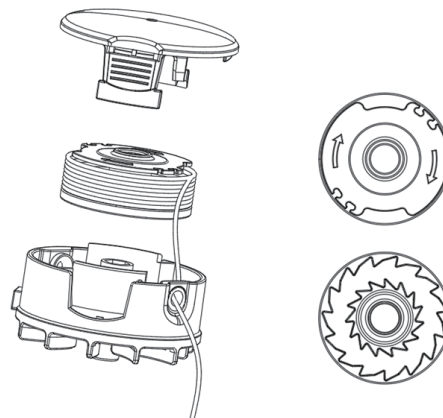
(9) MANUAL SETTING OUT



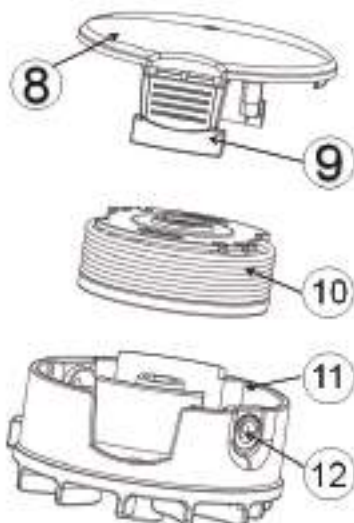
- Press releasing button (7) and pull one end of grass trimming line at the same time. Loosen releasing button and repeat the step until the length of grass trimming line reaches the position of line cutting blade. If the length of grass trimming line is longer than the blade, excessive line will be cut off by blade. If the line is too long, take out of wire coil cover and rotate the wire coil anticlockwise until the required length is obtained.

- Press the buckles at both sides of wire coil cover (9) to take the cover (8) out of wire coil base (11).
- Ensure the cleanliness of wire coil cover and inside of wire coil base when reinstalling it. Press wire coil cover with force until installation is fully finished. Try if wire coil cover can be taken out without pressing wire coil cover downward in order to confirm if the cover is fully installed.

(II) LOADING AND UNLOADING MODE OF REEL ACCESSORIES

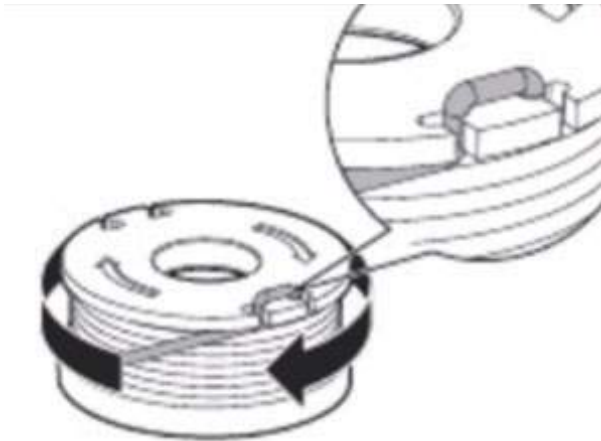
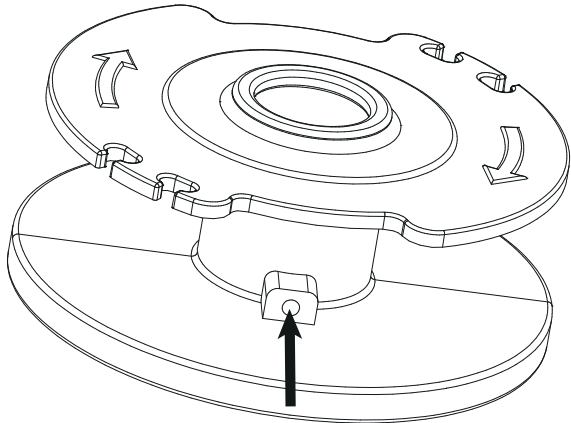


(10) DISASSEMBLY AND ASSEMBLY OF REEL COVER



- Turn over the machine and remove battery.
- Remove old wire coil: Remove wire coil cover to take wire coil from wire coil base and clean the broken line or fragment near wire coil box.
- Uninstall new wire coil: Pull out of the line on wire coil and run it through the corresponding outlet hole. Install new wire coil in the wire coil base and ensure the cut part always faces inside and the smooth surface can be seen. Install wire coil cover.

BATTERY CHARGER



RIGHT

WRONG

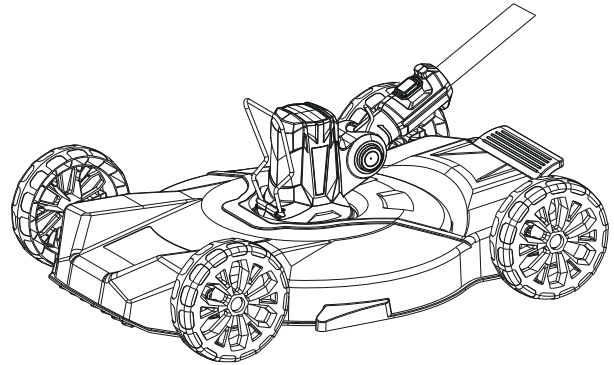


- Cut a grass trimming line of about 3.5 m long and then set one end of the line into the hole on wire coil for about 10mm. Wind the line along the direction of wire coil direction and set line inside the slot of wire coil when the rest line is about 100mm.
- The grass trimming line must be intact; otherwise, it will affect automatic paying-off function. After winding is finished, install wire coil by referring to "assembly and disassembly mode of wire coil accessory"

⚠ DANGER

Start up the equipment only when it is fully assembled.

FITTING THE GRASS TRIMMER TO THE TRIMMER CART



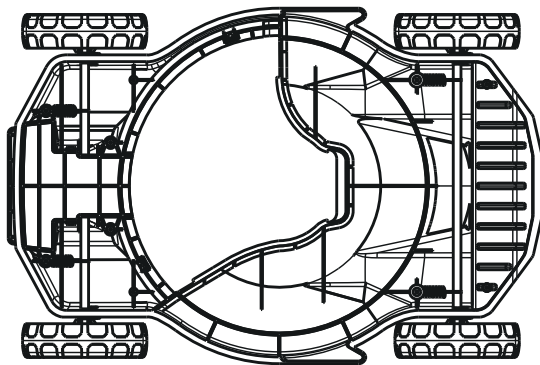
Lock the edge guide at the minimum length point. Insert the motor head into the guide(a) on the trimmer cart. Press the grass trimmer at an angle to the rear. The guard hood (b) will latch in the trimmer cart lock (c).

- To remove the grass trimmer from the trimmer cart, press the trimmer cart lock(c).
- Lift the grass trimmer at an angle and remove it.

CAUTION

1. Remove the battery.
2. It is recommended to adjust the cutting height when the grass trimmer is not fitted.

Turn over the trimmer cart so that both axles are accessible. Pullback the axles and place them in the same notch on both sides (notch A=35mm cutting height, notch B=55mm cutting height). For a uniform cutting height you must place both axles in the same notch. Fit the grass trimmer to the trimmer cart.



BATTERY CHARGER

SPECIFICATIONS:

Charger: HGDS210050

Input: 100-240VAC, 50/60Hz Max.0.35A

Output: 21VDC. 0.5A




Weight: 0.17 lbs(0.077kg)

⚠ WARNING

The battery is not shipped/transported fully charged. Fully charge the battery before first use to ensure that maximum run time can be achieved. This lithium-ion battery will not develop a memory and may be charged at any time.

CHARGING PROCEDURE



	LED STATUS	DESCRIPTION
	Solid Green	No-load
	Solid Green	Fully charged
	Solid Red	Charging

Low voltage charging:

If the battery has been stored with little to no charge for a long period of time, the charger will go into recovery mode, which will take more time to fully charge the battery. This will enhance the life of the battery. Once it is fully charged, the next charge will return to standard charging.

A fully discharged battery pack will require the allotted time as stated in the battery manual. Plug the charger into an AC power outlet.

 **WARNING**

In order to avoid personal injury and the risk of fire and electric shock, remove the battery before adjusting, inspecting, cleaning the battery.

This is a diagnostic charger. The Charger LED Lights will illuminate in specific order to communicate the current battery status.

False defect note:

When the battery is inserted into the charger and the status LED keeps GREEN, remove the battery from the charger for 1 minute, then reinsert. If the status LED keeps RED, then the battery is properly charging. If the status LED is still keeping GREEN, remove the battery and unplug the charger for 1 minute. After 1 minute, plug in the charger and reinsert the battery. If the status LED keeps RED, then the battery is properly charging. If the status LED is still keeping GREEN, the battery is defective and needs to be replaced

CHECKING THE CHARGE

If the battery pack does not charge properly:

Check the current at the power outlet with another tool. Make sure that the outlet is not turned off.

Check that the charger contacts have not been shorted by debris or foreign material.

If the air temperature is above 104°F or below 45°F, move the charger and battery pack to a room temperature location and allow to warm up slowly.



WARNING

If the battery is inserted into the charger when warm or hot, the **CHARGING LED** indicator light on the charger may switch on and illuminate **GREEN**. If this occurs allow the battery to cool inside of the charger for up to 30 minutes. Charging should automatically start once battery has cooled

Note: If the battery and the charger won't be used for a long time, remove the battery from the charger and pull out the AC power plug

GENERAL SAFETY RULES

garments or jewelry that could get caught in moving parts of the machine or its motor.

WARNING

Read all safety warnings and instructions.

Failure to follow the warnings and instructions in this manual may result in injury to people, damage to property and/or serious injury/death

Save all warnings and instructions for future reference.

The term “power tool” in the warnings refers to your mains-operated (corded) power tool or battery-operated (cordless) power tool.

- Do not operate power tools in explosive atmospheres, such as in the presence of flammable liquids, gases, or dust. Power tools create sparks which may ignite the dust or fumes.
- Never allow children or untrained individuals to operate this tool.
- Don't expose power tools to rain or wet conditions. Water entering a power tool will increase the risk of electric shock.
- Do not handle plug or tool with wet hands always wear gloves.
- Never allow children under 16 years old to operate this equipment. Never allow adults to operate the equipment without proper instruction.
- Always wear safety glasses and suitable ear protection with side shields marked to comply with ANSI 287.1.
- Everyday glasses are not classed as safety glasses. This will reduce the risk of eye injury. Use face mask if operation or area is dusty.
- Secure long hair above shoulder level to prevent entanglement in moving parts.
- Do not expose to damp or wet conditions including rain or snow.
- Do not operate in poor lighting only in daylight.
- Keep all parts of your body away from any moving part at all times.
- Keep hair, loose clothing, fingers and all body parts away from openings and moving parts.
- Wear heavy long pants, boots, and gloves. Avoid loose

GENERAL SAFETY RULES

- Do not force tool. Use the correct tool for your application. The correct tool will do the job better and safer at the rate for which it is designed.
- Do not operate the equipment while barefoot or when wearing sandals or similar lightweight footwear. Wear protective footwear that will protect your feet and improve your footing on slippery surfaces.
- Keep firm footing and balance. Do not overreach. Overreaching can result in loss of balance.
- Do not allow to be used as a toy. Close attention is necessary when used by or near children.
- Do not use tool if switch does not turn it on or off. Any tool that cannot be controlled with the switch is dangerous and must be repaired or replaced.
- Keep all bystanders, children, and pets at least 50 ft. away from flying debris.
- Do not operate this unit when you are tired, ill or under the influence of alcohol, drugs or Medication.
- Keep all parts of your body away from any moving parts and all hot surfaces of the unit.
- Do not put any object into openings. Do not use with any opening, blocked; keep openings free of dust, lint, hair, and anything that may reduce air flow.
- Check the work area before each use. Remove all objects such as rocks, broken glass, nails, wire, or string which can be thrown or become entangled in the machine.
- Use only identical manufacturer's replacement parts and accessories. Use of any other parts may create a hazard or cause product damage.
- Do not charge or operate cordless tools in damp or wet conditions including rain or snow. Following this rule will reduce the risk of electric shock and accidents.
- Cordless tools do not have to be plugged into an electrical outlet; therefore, they are always in operating condition. Be aware of possible hazards when not using your cordless tool or when changing accessories. Following this rule will reduce the risk of electric shock, fire, or serious personal injury. If in doubt disconnect or remove battery first.
- Remove or disconnect battery before servicing, cleaning or removing material from the gardening appliance.
- Use only the specified OEM batteries never use non original batteries.

GENERAL SAFETY RULES

- Store idle appliances - When not in use, string trimmer should be stored indoors in a dry, locked place out of the reach of children like locked garage or shed.
- Do not dispose of the batteries in a fire. The cells may explode. Check with local codes for possible special disposal instructions.
- Do not open or mutilate the batteries. Released electrolyte is corrosive and may cause damage to the eyes or skin. It may be toxic if swallowed.
- Do not place cordless tools or their batteries near fire or heat. This will reduce the risk of explosion and possible injury.
- Batteries can explode in the presence of a source of ignition, such as a pilot light. To reduce the risk of serious personal injury, never use any cordless product in the presence of open flame. An exploding battery can propel debris and chemicals. If exposed, flush with water immediately and seek medical advice.
- Do not crush, drop or damage battery pack. Do not use a battery pack or charger that has been dropped or received a sharp blow. A damaged battery is subject to explosion. Properly dispose of a dropped or damaged battery immediately.
- Exercise care in handling batteries in order not to short the battery with conducting materials such as rings, bracelets and keys. The battery or conductor may overheat and cause burns.
- For best results, your battery should be charged in a location where the temperature is more than 45 degrees but less than 104 degrees. To reduce the risk of serious personal injury, never store batteries outside or in vehicles.
- Under extreme usage or temperature conditions, battery leakage may occur. If liquid comes in contact with your skin, wash immediately with soap and water, then neutralize with lemon juice or vinegar. If liquid gets into your eyes, flush them with clean water for at least 10 minutes, then seek immediate medical attention. Following this rule will reduce the risk of serious personal injury.
- If the power supply cord is damaged, it must be replaced only by the manufacturer or by an authorized service center to avoid risk.
- Never point the string trimmer in the direction of

people, pets or animals by doing so will void any warranty offered.

- Maintain tool with care. Keep vents clean for best and safest performance. Follow instructions for proper maintenance. Do not attempt to clear clogs from tool without first disconnecting the battery.
- To reduce the risk of electrical shock, do not expose motor or electric parts to moisture, do not use on wet surfaces. Always store indoors.
- Use Right Appliance - Do not use appliance for any other job except that for which it is intended.
- Avoid Unintentional Starting - Do not carry string trimmer with fingers on the switch. Be sure the battery is disconnected or removed while transporting.
- Check Damaged Parts - Before further use of the appliance, a guard or other part that is damaged should be carefully checked to determine that it will operate properly and perform its intended function. Check for alignment of moving parts, binding of moving parts, breakage of parts, mounting, and any other condition that may affect its operation. A guard or other part that is damaged should be properly repaired or replaced by an authorized service center unless indicated elsewhere in this manual.
- Save these instructions. Refer to them frequently and use them to instruct others who may use this power tool. If you loan someone this power tool, loan them these instructions also.
- Always look behind and down for small children before and while cutting backwards.
- Use extreme care when approaching blind corners, doorways, shrubs, trees, or other objects that may obscure your view of a child who may run into the path of the trimmer.

CHILD SAFETY

- Tragic accidents can occur if the operator is not aware of the presence of children.
- Keep children out of the working area and under the watchful care of a responsible adult.
- Do not allow children under the age of 16 to operate this trimmer. Children who are 16 years of age and older must read and understand the operating instructions and safety rules in this manual and must be trained and supervised by a parent or supervisor.
- Stay alert and turn the trimmer off if a child or any other person enters the working area.










 **WARNING**

To avoid serious personal injury, do not attempt to use this product until you have read this Owner's Manual thoroughly and understand it completely. If you do not understand the warnings and instructions in this Owner's Manual, do not use this product and seek advice.

The operation of any power tool can result in foreign objects being thrown into your eyes, which can result in severe eye damage. Before operating a power tool, always wear (PPE) safety goggles, safety glasses with side shields, or a full face shield and ear protection when needed. We recommend a Wide Vision Safety Mask for use over eyeglasses or standard safety glasses with side shields. Always use eye protection that is marked to comply with ANSI Z87.1

SYMBOLS

Some of the following symbols may be used on this product. Please study them and learn their meaning. Proper interpretation of these symbols will allow you to operate the product better and safer.

SYMBOL	MEANING
	Warning
	Read The Operator's Manual. Read and follow all safety precautions in the owner's manual. Failure to follow to instruction could result in serious injury to user
	Protective goggles/visor, protective helmet & hearing protection.
	Wet Conditions Alert. Do not expose to rain or use in damp locations
	Ricochet. Thrown objects can ricochet and result in personal injury or property damage
/Min	Per minute. Revolutions, strokes, surface speed, orbits etc., per minute.
	Class II Construction. Double-insulated construction
	No Blade. Do not install or use any type of blade on a product or displaying this symbol.
V	Volts
A	Amperes
Hz	Hertz
W	Watts
Min	Minutes
~	Alternating Current
	Direct Current
	Keep Bystanders Away

The following signal words and meanings are intended to explain the levels of risk associated with this product.

⚠ DANGER

DANGER indicates a hazardous situation which, if not avoided, will result in death or serious injury.

⚠ CAUTION

CAUTION indicates a hazardous situation which, if not avoided, could result in minor or moderate injury.

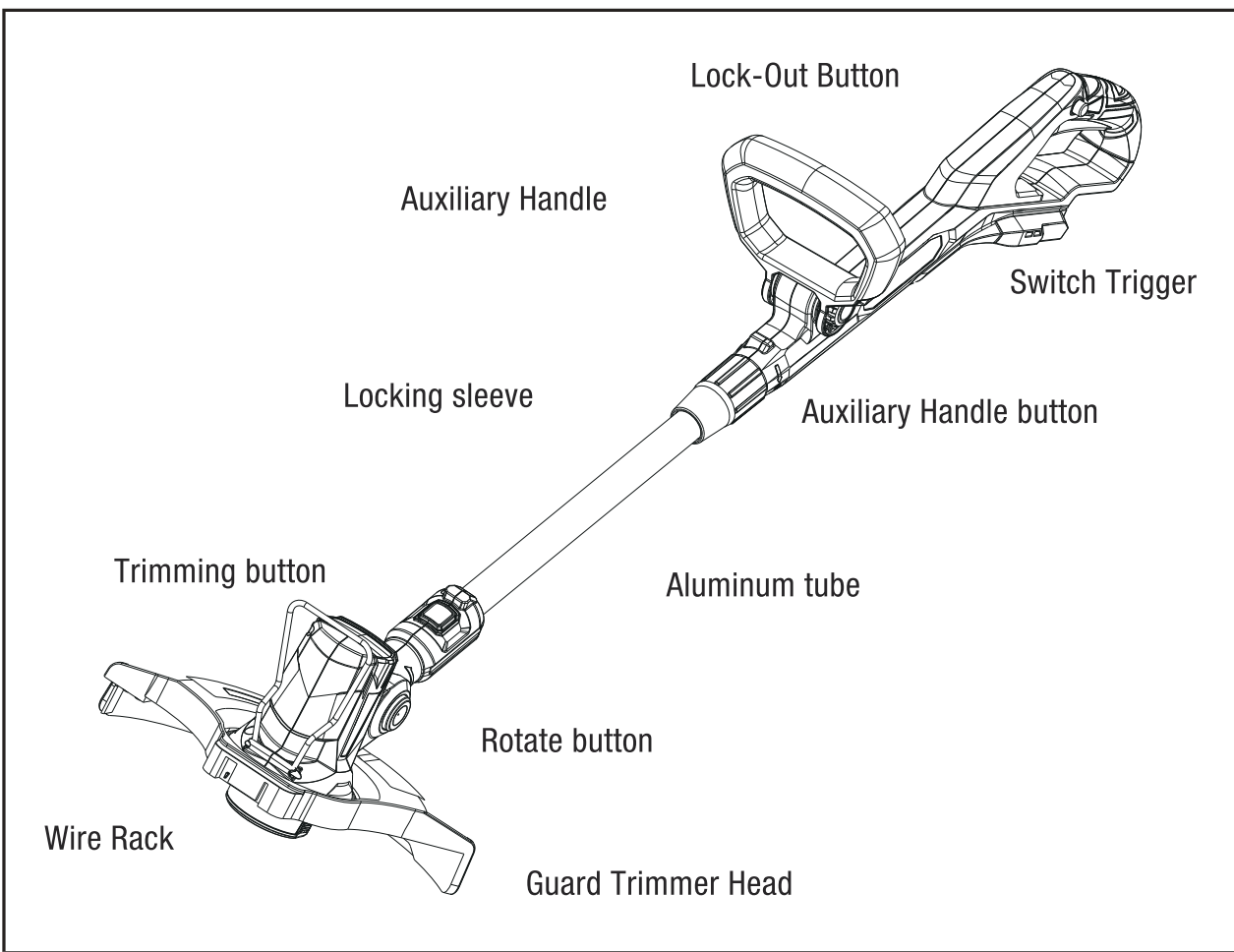
⚠ WARNING

WARNING indicates a hazardous situation which, if not avoided, could result in death or serious injury.

CAUTION

(Without Safety Alert Symbol) Indicates a situation that may result in property damage.

KNOW YOUR TRIMMER



MAINTENANCE

Cleaning

Remove the battery pack.

- Brush or blow dust and debris out of the air vents using compressed air or a vacuum. Keep the air vents free of obstructions, sawdust, and wood chips. Do not spray, wash, or immerse the air vents in water.
- Wipe off the housing and the plastic components using a moist, soft cloth. Do not use strong solvents or detergents on the plastic housing or plastic components. Certain household cleaners may cause damage, and may cause a shock hazard.

Battery Pack

- Store the battery pack fully charged
- Once the light on the charger turns solid green, remove the battery from the charger and disconnect the charger from the outlet.
- Do not store the battery pack on the tool.
- After charging, the battery pack may be stored in the charger, as long as the charger is not plugged in.

Charger Maintenance

Keep the charger clean and clear of debris. Do not allow foreign material to get into the recessed cavity or onto the contacts. Wipe the charger clean with a dry, soft cloth. Do not use solvents or water, and do not place the charger in wet conditions.

Unplug the charger when there is no battery pack in it.

Fully charge the batteries before placing them in storage.

Store the charger at normal room temperature. Do not store it in excessive heat. Do not use the charger in direct sunlight.

Recharge at room temperature between 45° F and 104° F (7° C and 40° C). If the battery pack

is hot, allow it to cool down inside of the charger. The battery will begin charging once it has returned to room temperature.

ENVIRONMENTALLY SAFE BATTERY DISPOSAL

WARNING

The following toxic and corrosive materials are in the batteries used in this blower.

Battery pack: Lithium-Ion, a toxic material.

WARNING

All toxic materials must be disposed of in a specified manner to prevent contamination of the environment. Before disposing of damaged or worn out Lithium-Ion battery packs, contact your local waste disposal agency, or the local Environmental Protection Agency for information and specific instructions. Take the batteries to a local recycling and/or disposal center, certified for lithium-ion disposal

WARNING

If the battery pack cracks or breaks, with or without leaks, do not recharge it and do not use. Dispose of it and replace with a new battery pack.

DO NOT ATTEMPT TO REPAIR IT!

To avoid injury and risk of fire, explosion, or electric shock, and to avoid damage to the environment:

- Cover the battery's terminals with heavy-duty adhesive tape
 - DO NOT** attempt to remove or destroy any of the battery pack components.
 - DO NOT** attempt to open the battery pack.
 - If a leak develops, the released electrolytes are corrosive and toxic. **DO NOT** get the solution in the eyes or on skin, and do not swallow it.
 - DO NOT** place these batteries in your regular household trash.
 - DO NOT** incinerate.
 - DO NOT** place them where they will become part of any waste landfill or municipal solid waste stream.
- Take them to a certified recycling or disposal center.

MAINTENANCE

WARNING

When servicing, use only identical replacement parts. Use of any other parts may create a hazard or cause product damage and will void any warranty offered.

WARNING

Before inspecting, cleaning, or servicing the machine, shut off motor, wait for all moving parts to stop, and disconnect power supply. Failure to follow these instructions can result in serious personal injury or property damage and will void any warranty offered

WARNING

Do not at any time let brake fluids, gasoline, petroleum-based products, penetrating lubricants, etc., come in contact with plastic parts. Chemicals can damage, weaken or destroy plastic which may result in serious personal injury and will void any warranty offered.

GENERAL MAINTENANCE

Avoid using solvents when cleaning plastic parts. Most plastics are susceptible to damage from various types of commercial solvents and may be damaged by their use. Use clean cloth to remove dirt, dust, lubricant, grease, etc

You can often make adjustments and repairs described here. For other repairs: have the power head serviced by an authorized service dealer.

CLEANING THE POWER HEAD

- Stop the motor and remove the battery.
- Clean dirt and debris from the power head using a damp cloth with a mild detergent.

Note: Do not use any strong detergents on the plastic housing or the handle. They can be damaged by certain aromatic oils such as pine and lemon, and by solvents such as kerosene

STORING THE POWER HEAD

- Clean all foreign material from the product.
- Store it in a well-ventilated place that is inaccessible to children.
- Keep away from corrosive agents such as garden chemicals and de-icing salts.

 **WARNING**

Do not store the string trimmer or battery in sunlight, in an excessively warm place, or near a furnace. The battery and tool life will be shortened.

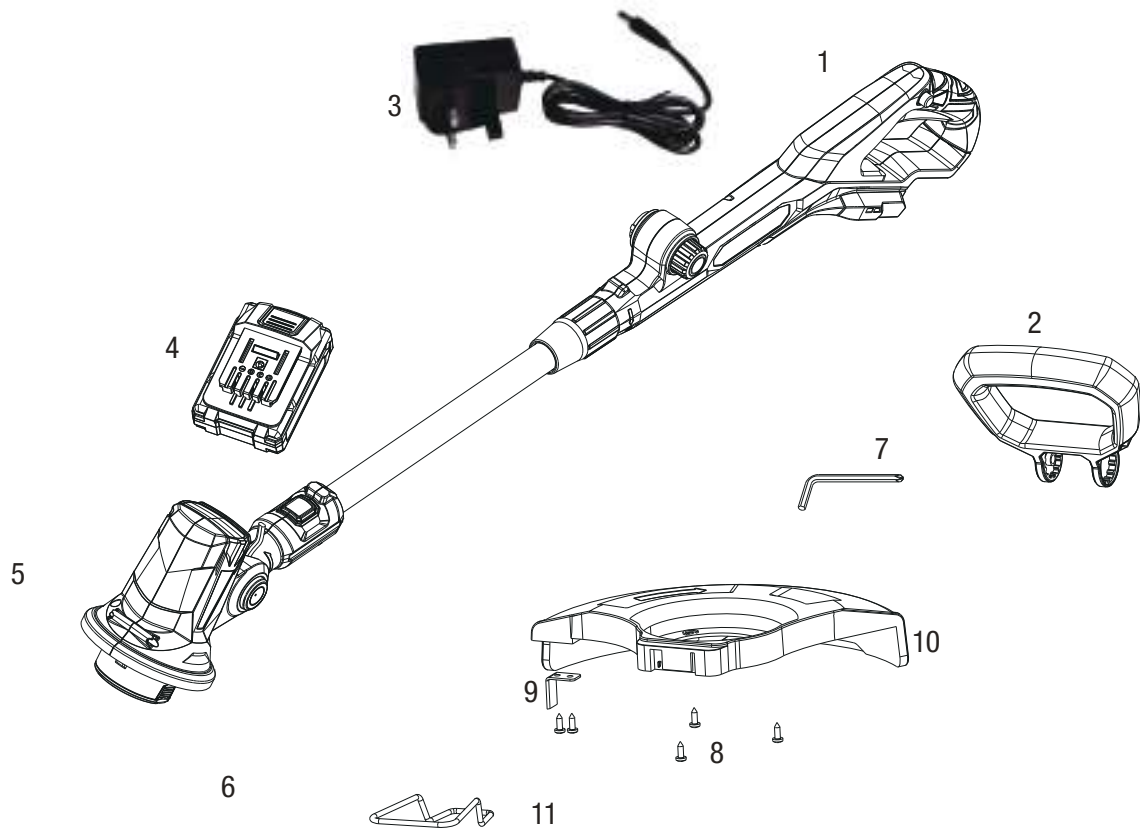
CARE AND CLEANING INSTRUCTIONS

- Always switch off and unplug before cleaning.
- Do NOT immerse in water. Risk of electric shock.
- Do NOT use abrasive cleaners or sharp utensils to clean this appliance.
- Wipe surfaces with a soft dry cloth.
- Allow to dry thoroughly before further use.
- Store the appliance in a cool, dry place.

TROUBLESHOOTING

PROBLEM	POSSIBLE CAUSE	SOLUTION
Motor fails to start when switch trigger is depressed.	Battery is not secure.	To secure the battery pack, make sure the latches on the top of the battery pack snap into place.
	Battery is not charged.	Charge the battery pack according to the instructions included with your model.
String trimmer stops while cutting	The trimmer head is bound.	Stop the trimmer, remove the battery, and remove the grass from the trimmer head.
	The battery pack is too hot.	Remove the battery and allow it to cool in a cool; dry area.
	The battery pack is fully discharged.	Recharge the battery per the instructions in the battery manual
Automatic setting out does not work.	<ol style="list-style-type: none"> 1.The reel is not good. 2.Reel winding. 3.Straw thread exhausted. 	<ol style="list-style-type: none"> 1.If the outlet box cannot be set out manually, please rewind it. 2.Replace reel.
Excessive vibration or noise.	<p>The reel is not wound properly</p> <p>Machine defect.</p>	<ol style="list-style-type: none"> 1. Rewind, see the reel installation guide for details. 2. Please contact after-sales service for repair or replacement.
LED indicator of tool flash for 1-19 times, motor fails to start	Motor controller fault, or over temperature, or low battery, or over load, etc.	<ol style="list-style-type: none"> 1. Release the trigger and restart the machine after 3-5s; or 2. stop the operation and cool the tool and battery; or 3. Charge the battery

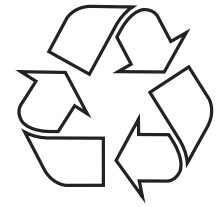
EXPLODED VIEW



Item #	Part #	Description	QTY
1	2860320001	Rear Handle	1
2	2860330007	Auxiliary handle	1
3	2860710001	Charger	1
4	2860610001	Battery pack	1
5	2860320003	Machine head	1
6	2860330021	trimmer head	1
7	58011000009001	Cross slot spanner	1
8	301050018	Guard	3
9	2801030006	Wire breaking blade	1
10	2860330020	Cross recessed	1
11	2860330023	Wire rack	1

DISPOSAL

- Coopers of Stortford use recyclable or recycled packaging where possible.
- Please dispose of all packaging, paper, cartons in accordance with your local authority recycling regulations.
- At the end of the product's lifespan please check with your local council authorised household waste recycling centre for disposal.



UK & EU DECLARATION OF CONFORMITY

We, Coopers of Stortford hereby declare under our sole responsibility, that the product named below has been designed to comply with all relevant sections of the below referenced standards and directives: -

Description & item Number: Cordless Grass Trimmer
M498

Model No: ST8613

Conforms to the following UK Regulations and EU Directives: -

- Supply of Machinery (Safety) Regulations 2008 and Machinery Directive 2006/42/EC.
- The Noise Emission in the Environment by Equipment for use Outdoors Regulations 2001 & amendments and Noise Directive 2000/14/EC & 2005/88/EC.
- The Electrical Equipment (Safety) Regulations 2016 & Low Voltage Directive 2014/35/EU.
- Electromagnetic Compatibility Regulations 2016 & EMC Directive 2014/30/EU.
- Restriction of Hazardous Substances (RoHS) Regulations & RoHS Directive 2011/65/EU & 2015/863/EU.

The conformity assessment procedure followed was in accordance with the following Standards:-

Machinery Directive & LVD Directive Standards: EN 60335-1:2012+A11:2014+A13:2017+A1:2019+A2:2019+A14:2019+A15:2021
EN 50636-2-91:2014
Machinery Directive 2006/42/EC _____

EMC Standards: _____ EN IEC 55014-1:2021 EN IEC 55014-2:2021 EMC
directive (2014/30/EU)

RoHS Standards: _____ RoHS (2011/65/EU)、 (EU)2015/863 and RoHS Directive (2011/65
/ EU) annex
III _____

Measured Sound Pressure Level: LPA = 79,7 dB(A)
Measured Sound Power Level: LWA = 93,53 dBA
Rear handle: 4,17 m/s² Front handle: 2,29 m/s²

The Test reports for this item are available from:
Coopers of Stortford, 11 Bridge Street, Bishop's Stortford, Hertfordshire, CM23 2JU

Distributed by / Verteilt durch / Distribué par.

UK:

The Enterprise Department Ltd.
11 Bridge Street, Bishops Stortford
Herts, UK, CM23 2JU
Tel: 0330 331 0300

NI/EU:

D.S.B. LD, 160 Bd. de Fourmies, 59100 Roubaix, France
Tel: (+44) 1279 701269

