

1.8M 360 Rotating Sun Screen

Item No: M347

Instructions for Use

v001: 01/02/2024


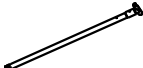
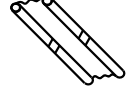
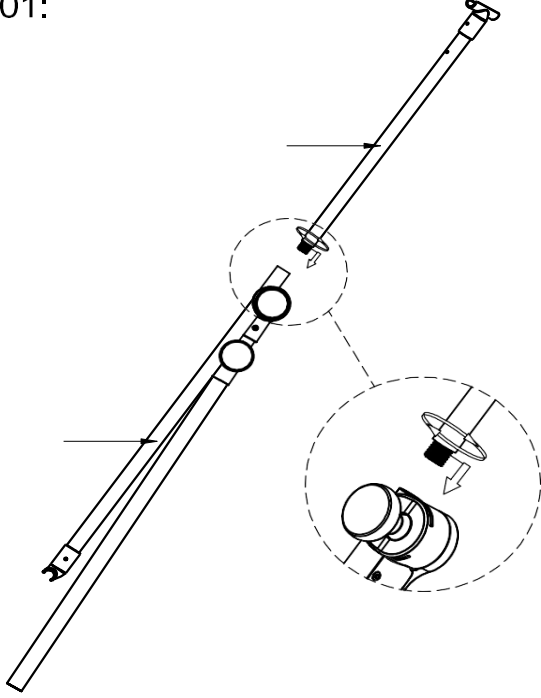
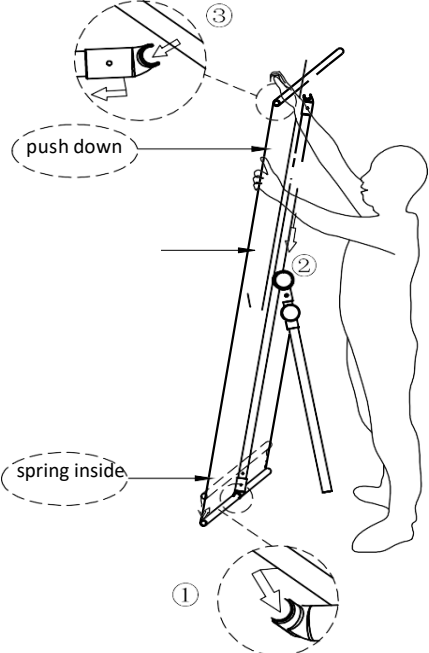
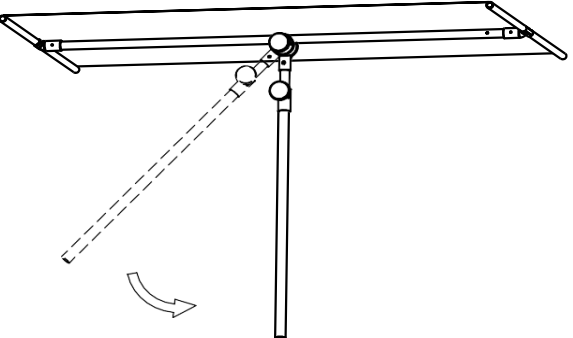
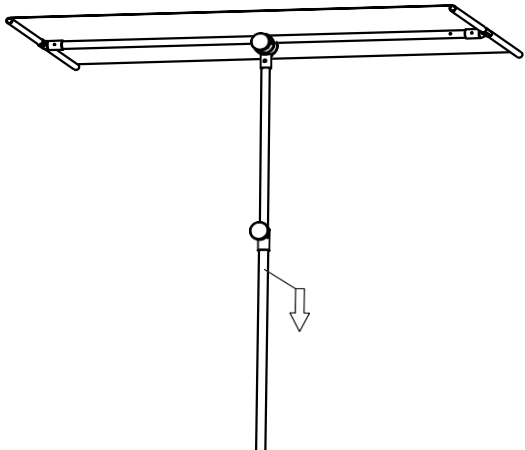
GAINSBOROUGH

Garden & Wildlife

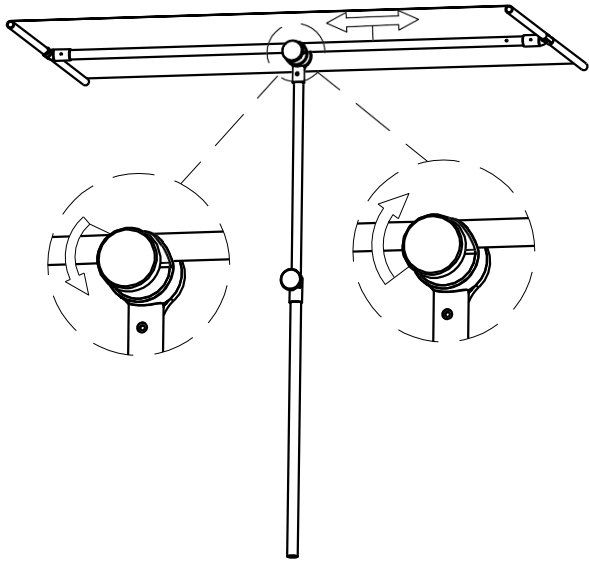
Please read and retain these instructions for future reference

INSTRUCTIONS FOR USE:

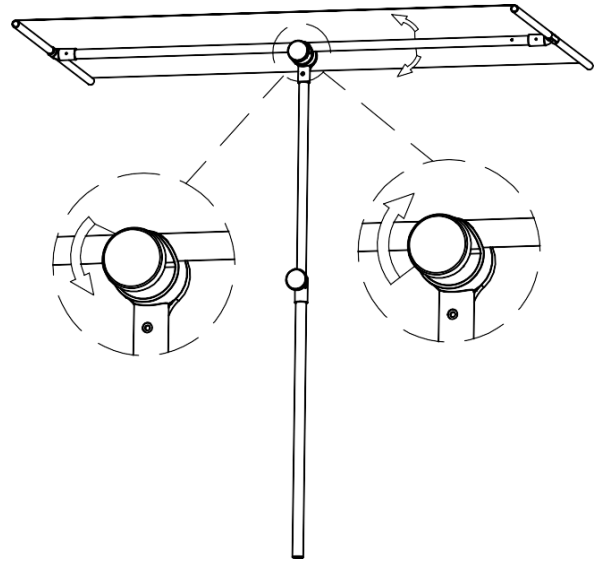
Step by Step Instructions & Photos

A	1		B	1		C	1	
<p>01:</p> 			<p>02:</p> 					
<p>03:</p> 			<p>04:</p> 					

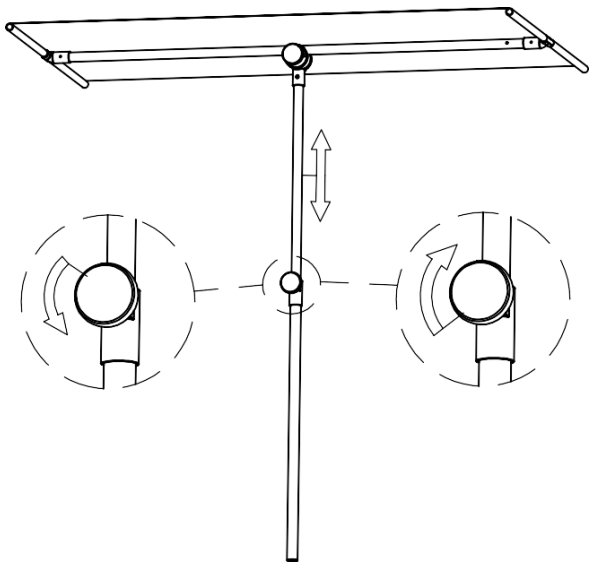
05:



06:



07:





Finished product !

CARE AND MAINTAINCE

- Wipe clean only.

DISPOSAL

- Coopers of Stortford use recyclable or recycled packaging where possible.
- Please dispose of all packaging, paper, cartons in accordance with your local authority recycling regulations.
- At the end of the product's lifespan please check with your local council authorised household waste recycling centre for disposal.



CUSTOMER SERVICES:

Distributed by / Verteilt durch / Distribué par.

UK: The Enterprise Department Ltd.
11 Bridge Street, Bishops Stortford, Herts, UK, CM23 2JU
Tel: 0330 331 0300

NI/EU:
D.S.B. LD, 160 Bd. de Fourmies, 59100 Roubaix, France
Tel: (+44) 1279 701269