

# Silent Lawn Mower

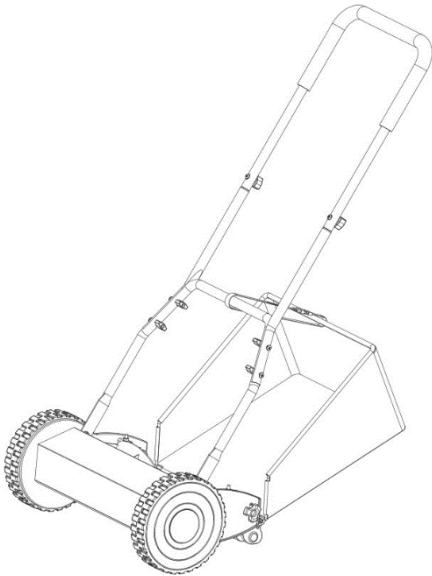
L427 v02: 05/01/23

Please read and retain these instructions for future reference



**Dimensions:** 120(D) x 53.5(W) x 56(H) cm

**Material:** Plastic, Metal

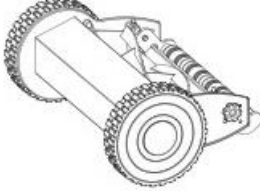



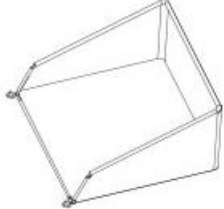
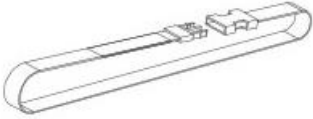


- ECO FRIENDLY – NO ELECTRICITY USED NOR ANY BATTERIES REQUIRED
- SILENT OPERATION
- CUTTING WIDTH – 16"
- 5 STEEL BLADES
- MANUAL HEIGHT ADJUSTMENT FOR CUTTING HEIGHT – 11 TO 38mm
- FOAM ON THE HANDLE FOR COMFORT WHILE MOWING YOUR LAWN
- LIGHTWEIGHT AT JUST 8KG
- FOLDING STEEL FRAME FOR EASY STORAGE
- THIS LAWN MOWER IS A DREAM TO USE NOT ONLY BECAUSE IT IS SILENT & NO RUNNING COSTS BUT IT HAS ALL THE BENEFITS OF A MODERN LAWN MOWER BUT WITHOUT THE FAFF!
- POWERED PURELY BY YOU PUSHING THE MOWER ALONG AND THE BLADES ROTATE, AS ITS LIGHTWEIGHT IT'S SO EASY TOO
- GIVING YOU THE TRADITIONAL LAWN STRIPES YOU WILL BE THE ENVY OF YOUR NEIGHBOURS
- CABLE, ELECTRIC AND BATTERY FREE SO ITS LITERALLY COSTS YOU NOTHING TO USE! IT ALSO MAKES IT GREAT FOR THE ENVIRONMENT
- THE 5 BLADES OFFER PRECISION CUTTING AND REAR ROLLER CREATES THE PERFECT LAWN STRIPE FINISH

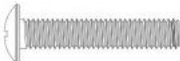

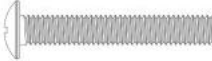
## Parts

### Carton contents

Part number for assembly instructions

<p>1. Main Frame.....1pc</p> 	<p>2. Lower Frame....1pc</p> 	<p>3. Connecting Frame ....2pcs</p> 
<p>4. Upper Frame.....1pc</p> 	<p>5. Grass Catcher.....1pc</p> 	<p>6. Grass Catcher Strap.....1pc</p> 

### Hardware Pack Contents

Reference#	Description	Illustration	Quantity
A	Bolt M6 x 30mm		2
B	Nut		6
C	Bolt M6 x 35mm		4

**WARNING!** Always wear appropriate safety gear.

Do not operate the lawn mower without first reading the manual and ensuring the grass catcher is correctly installed.

## The Enterprise Department

UK Head Office, 11 Bridge Street, Bishop's Stortford, CM23 2JU

Tel: 0844 4824400\*, Fax: 01279 756595

[www.coopersofstortford.co.uk](http://www.coopersofstortford.co.uk)

EU address: D.S.B. LD, 160 Bd. de Fourmies, 59100 Roubaix, France

Tel: (+44) 1279 701269

\*UK Calls cost around 7 pence per minute plus your telephone company's network access.  
Please check with your telephone supplier.

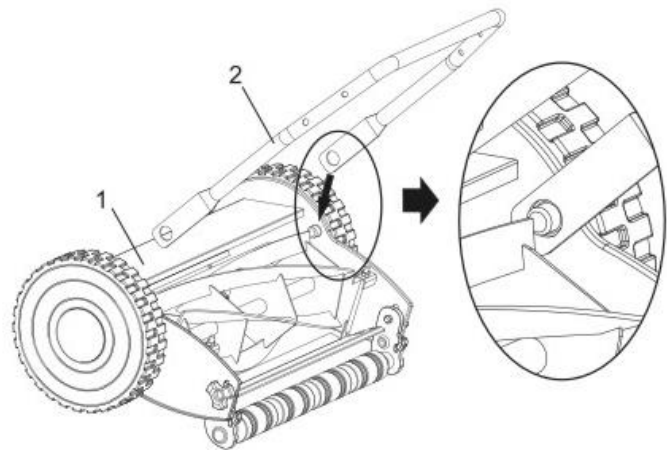
## ASSEMBLY INSTRUCTIONS / INSTRUCTIONS FOR USE:

Unpack the components carefully. Please check all parts have been removed from the packaging.

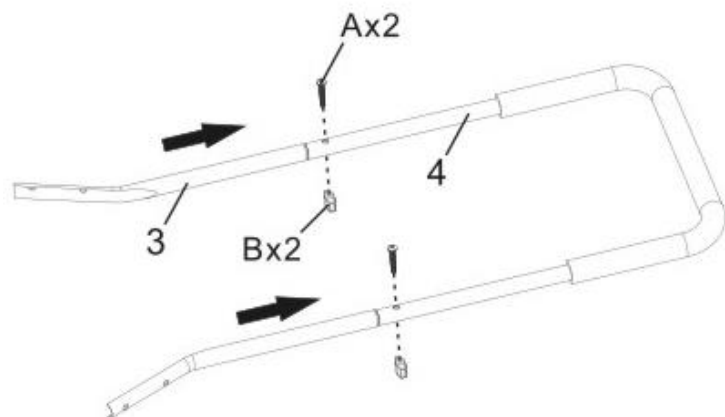
**WARNING!** Always exercise extreme caution during assembly and maintenance.

**Note:** Remove the contents from packaging and make sure all the parts are present before attempting to assemble. Tighten all bolt connections by hand first. When the Lawn Mower is fully assembled, retighten the screws, nuts and bolts using a wrench and screwdriver (not supplied).

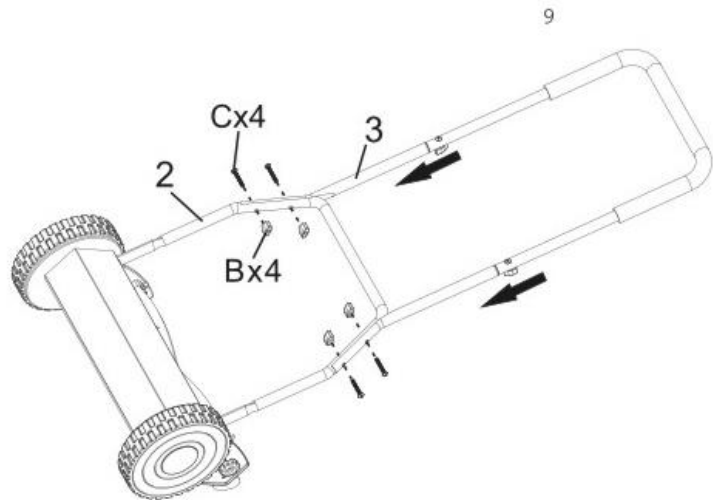
1. Align the holes located on the lower end of the Lower Frame (Part 2) with the notches located on the main section. Squeeze the bars of the Lower Frame (part 2) together slightly and release to attach onto the Main Frame (part 1).



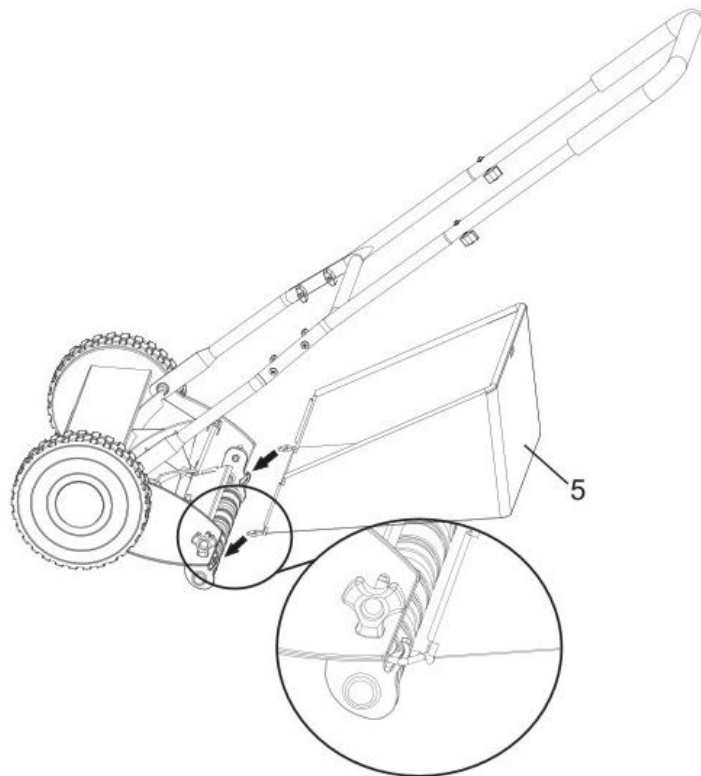
2. Slot the Upper Frame (Part 4) over the Connecting Frame (Part 3), while ensuring the screw holes line up. Attach using 2x nuts (B) and 2x bolts (A). Tighten to secure.



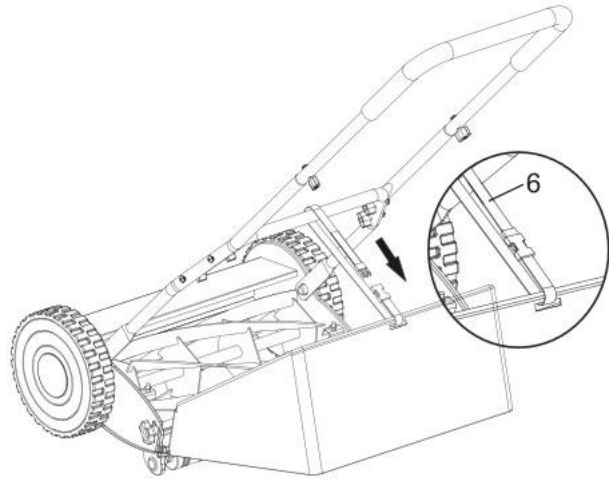
3. Take the assembled Connecting Frame (Part 3) and attach to each side of the Lower Frame (Part 2) by using 4x nuts (B) and 4x bolts (C). Tighten so secure.



4. To attach the Grass Catcher (Part 5), locate the bar at the rear of the main frame (Part 1).



- Slot the Grass Catcher Strap (Part 6) through the strap hole on the Grass Catcher (Part 5). Place the Grass Catcher Strap (Part 6) around the top of the Lower Frame (Part 2) and connect the Grass Catcher Strap (Part 6) by using the clips and the strap. The Grass Catcher (Part 6) should now be connected to the Lower Frame (Part 2) via the Grass Catcher Strap (Part 6).

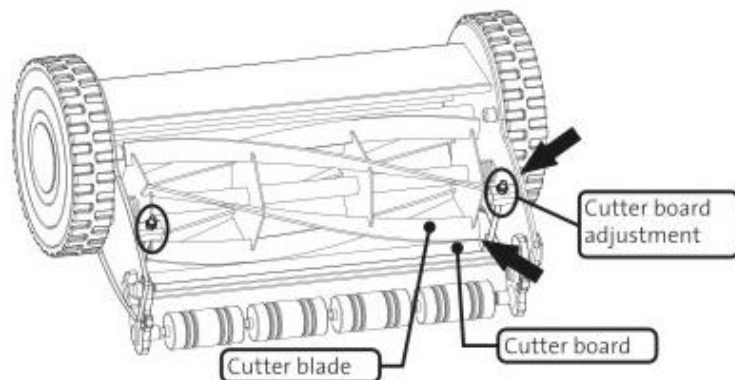


## Cutting Blade Adjustment

Please note that for optimal grass cutting performance, the cutter blade and cutter board must be correctly aligned.

There should be a minimal gap in between the cutter blade and the cutter board to ensure grass cutting efficiency. If the gap is too wide, the grass cutting capability will be reduced and if the gap is too small, the cutter blade will make contact with the cutter board and might get jammed or damaged.

To adjust the gap, make incremental adjustments by tightening or loosening the cutter board adjustment bolt. This will help increase or decrease the gap between the cutter blade and board.

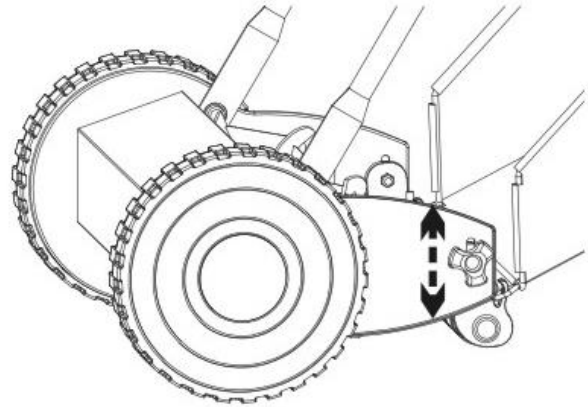


**NOTE:** Ensure both Cutter Board Adjustments (Part 17) have been adjusted to same corresponding height on each side of the assembly for safety and to ensure even cutting.

## Cutting height adjustment

The cutting height can be adjusted by using the Height Adjustment Knob (Part 10). Loosen the knob and align the cutting height to the desired cutting height. Tighten the knob to secure the cutting height.

NOTE: Ensure both Height Adjustment Knobs (Part 10) have been adjusted to the same corresponding height on each side of the assembly for safety and to ensure even cutting. (MANUAL HEIGHT ADJUSTMENT FOR CUTTING HEIGHT – 11 TO 38mm).



## USE

- Never cut wet grass.
- Always cut with the handle facing towards you.
- Always grasp the handle with both hands.
- Step forwards while pressing forwards and downwards so that the lawn mower maintains maximum traction with the ground.
- The greater the pushing force, the greater the mower blade rotation speed.
- Cut in straight lines, ensuring there is an overlap of 60-80mm on each line.
- When cutting long grass, do two cuts. The first cut should have a cutting height of approx. 50mm before reducing the cutting height to the desired level 9 for the second cut.

## WARNING

- Wear suitable hand and eye protection during use.
- Keep bystanders, pets and children away from the work area during use.
- Check the mower for damage before use.
- Check the work area for any obstacles or foreign objects, such as stones and remove them before use.
- Wear suitable non-slip footwear.
- Ensure the work area is well-lit.
- Do not wear loose clothing or jewellery and keep long hair tied back during use.
- Always walk when mowing, never run.
- Do not use under the influence of alcohol or drugs, including medication that may cause drowsiness.
- Periodically check that all knobs are secure and tighten if necessary.

## CLEANING & MAINTENANCE

- Before commencing any cleaning or maintenance, always block the blade to ensure it can move neither forward nor back.
- Do not insert your hands or any other body part into the blade housing.
- Clean the mower with a brush or soft cloth.
- Periodically lubricate the blades and check that all fixings are secure and tighten if necessary.
- Keep out of reach of children.

## DISPOSAL

- Coopers of Stortford use recyclable or recycled packaging where possible.
- Please dispose of all packaging, paper, cartons, packaging in accordance with your local recycling regulations.
- At the end of the product's lifespan please check with your local council authorised household waste recycling centre for disposal.
- Plastics, polybags – this is made from the following recyclable plastic.



Code & Symbol	
Type of Plastic	Polypropylene
Commonly used for	Microwaveable food containers, yoghurt pots, butter tubs, disposable plates and cups
Notes	Commonly recycled and collected from household recycling bins (packaging tape itself not recyclable but does not interfere with cardboard)