

Solar Flame Effect Coach Lantern

K763 v001: 06/05/22

Please read and retain these instructions for future reference

GAINSBOROUGH
Garden & Wildlife

Always position in direct sunlight.



Dimensions

(H) 27 x (W) 13 x (D) 21cm

- WARM WHITE FLICKERING FLAME EFFECT LED FOR THE EFFECT OF CANDLE LIGHT WITHOUT THE FAFF!
- INTEGRAL SOLAR PANEL
- FIXINGS INCLUDED
- TRADITIONAL STYLE COACH LANTERN IN A BRONZE LOOK FINISH WILL AUTOMATICALLY ADD A VINTAGE WARM GLOW TO ANY SURROUNDING AREA,
- Input voltage:1x1.2V AAA Nimh
- 300mah battery required(included)

ASSEMBLY INSTRUCTIONS / INSTRUCTIONS FOR USE:

Unpack the components carefully. Please check all parts have been removed from the packaging.

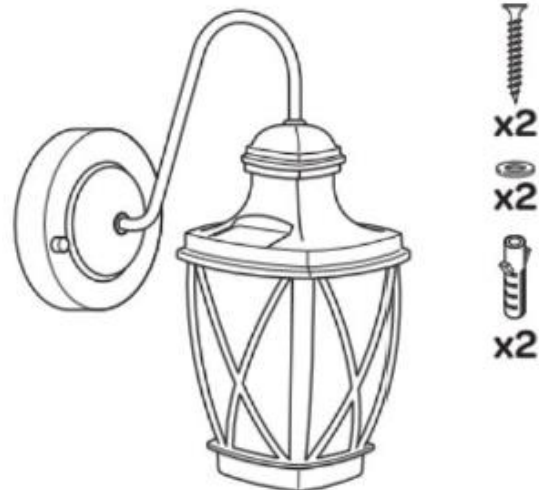
Before using first time

Allow lamp to charge for at least 8 hours in full sunlight with the ON/OFF switch in the ON position. The ON/OFF switch is located under the solar panel. Once the batteries are fully charged, set the ON/OFF switch to ON. If the lamp does not turn on after dark refer to Maintenance section.

NOTE: In order to verify that the button is correctly in the "ON" position, cover the solar panel with your hand and light should turn "ON" automatically.

Find an ideal Place for the Solar Light.

Place the solar light in an area where it will receive direct sunlight for at least 8 hours per day. The number of hours the light will illuminate is directly proportional to the hours of sunlight it receives. If the light is placed in a shaded area, it will not be able to fully charge and its illumination time will be limited. Do not place the light near other outdoor lighting like porch or streetlights. These may fool the sensor and keep the light from coming on, or cause it to turn off automatically



**The Enterprise
Department**

UK Head Office, 11 Bridge Street, Bishop's Stortford, CM23 2JU

Tel: 0844 4824400*, Fax: 01279 756595

www.coopersofstortford.co.uk

EU address: D.S.B. LD, 160 Bd. de Fourmies, 59100 Roubaix, France

Tel: (+44) 1279 701269

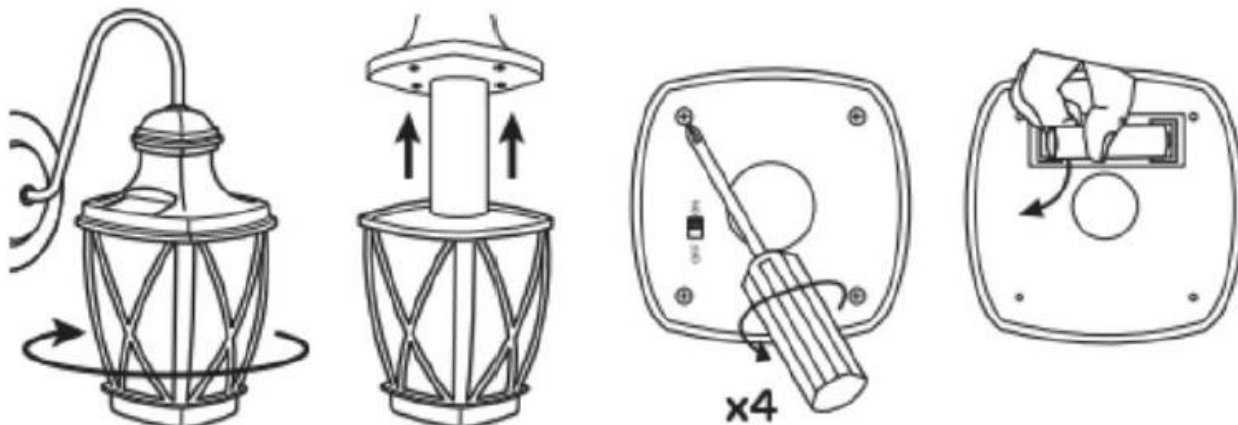
*UK Calls cost around 7 pence per minute plus your telephone company's network access.
Please check with your telephone supplier.

Solar Flame Effect Coach Lantern k763 Instructions for Use

Please read and retain these instructions for future reference

v001: 06/05/22

Replacing the battery



Untwist the bottom part of the lantern in a clockwise direction and pull down to access battery compartment. Undo the 4 screws and open the cover. Remove exhausted battery and replace with equivalent type. Reverse steps.

Care and Maintenance Recommendations

1. Clean solar panel with a soft sponge every couple of weeks.
2. Make sure all connectors are still tight and no water getting in.

BATTERIES

- Keep batteries away from children and pets.
- Do not mix used and new batteries.
- Remove the batteries if left for long periods.
- Never dispose of batteries in a fire.
- Battery disposal, spent or expired batteries must be properly disposed of and recycled in compliance with local regulations. For detailed information, contact your local authority.
- Follow the battery manufacturer's safety, usage, and disposal instructions.

DISPOSAL

- Coopers of Stortford use recyclable or recycled packaging where possible.
- Please dispose of all packaging, paper, cartons, packaging in accordance with your local recycling regulations.



- Plastics, polybags – Contains the following recyclable plastic.
- At the end of the product's lifespan please check with your local council authorised household waste recycling centre for disposal.



PP

UK
CA



**The Enterprise
Department**

UK Head Office, 11 Bridge Street, Bishop's Stortford, CM23 2JU

Tel: 0844 4824400*, Fax: 01279 756595

www.coopersofstortford.co.uk

EU address: D.S.B. LD, 160 Bd. de Fourmies, 59100 Roubaix, France

Tel: (+44) 1279 701269

*UK Calls cost around 7 pence per minute plus your telephone company's network access.
Please check with your telephone supplier.